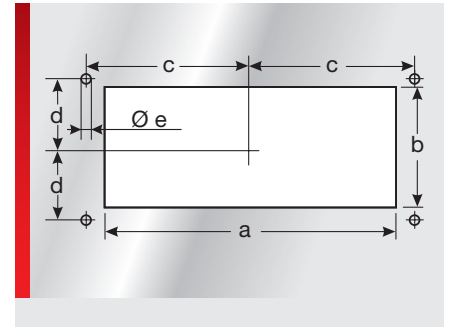
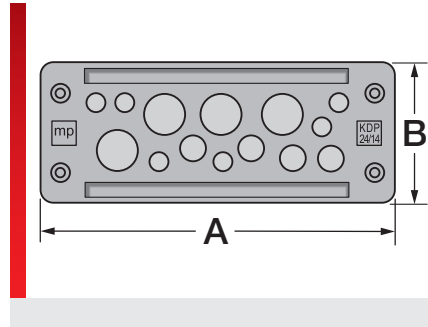


Plastic cable entry plate type KDP/X 24



Cable entry plate KDP plastic rectangular

PRODUCT INFORMATION

- Plastic cable entry plate with snap-in function and one instead of two elastomer plates
- Economical connection technology for tool-free wiring of equipment and machinery
- The alternative to cable fittings
- Very good strain relief
- Protection class: IP 65
- Thermal stability: -30 °C to +70 °C
- Material: Housing: Polyamide 6.6 / Seal: TPU/EPDM
- RoHS Compliant
- UV-resistant
- Made in Germany
- Suitable for standard cut-outs for 24-pin industrial connectors
- Assembly possible with catch hooks (sheet thickness 1.5 mm - 2.0 mm) or with M5 screws

SPECIFICATIONS

	Housing: Polyamide 6.6 Seal: TPU / EPDM
	IP65

Article	Order No.	Color	No. Openings	Openings Quantity / Ø mm	PU pcs.
KDP/X 24/3	87301301	Black	3	3x 19.00 – 26.00	1
KDP/X 24/10	87301305	Black	10	2x 3.00 – 6.50	1
				1x 5.00 – 9.20	
				5x 9.00 – 14.00	
KDP/X 24/11	87301315	Black	11	2x 14.00 – 20.00	1
				4x 3.00 – 6.50	
				4x 5.00 – 9.20	
KDP/X 24/12	87301325	Black	12	12x 8.00 – 12.00	1
				4x 3.00 – 5.50	
				6x 4.10 – 8.10	
KDP/X 24/13	87301335	Black	13	4x 9.00 – 14.00	1
				1x 14.00 – 20.00	
				6x 3.00 – 6.50	
KDP/X 24/14	87301345	Black	14	4x 5.00 – 9.20	1
				4x 9.60 – 15.90	
				17x 5.00 – 9.20	
KDP/X 24/17	87301355	Black	17	11x 3.00 – 6.50	1
				1x 4.10 – 8.10	
				5x 8.00 – 12.50	
KDP/X 24/17-1	87301356	Black	17	11x 3.00 – 6.50	1
				1x 4.10 – 8.10	
				5x 8.00 – 12.50	
KDP/X 24/17-1, VE 50, sw	87301357	Black	17	11x 3.00 – 6.50	50
				1x 4.10 – 8.10	

Plastic cable entry plate type KDP/X 24

Article	Order No.	Color	No. Openings	Openings Quantity / Ø mm	PU pcs.
				5x 8.00 – 12.50	
KDP/X 24/19	87301398	Black	19	2x 3.50 – 6.50	1
				14x 5.00 – 9.20	
				3x 7.50 – 11.50	
KDP/X 24/22	87301365	Black	22	16x 3.00 – 6.50	1
				4x 5.00 – 9.20	
				2x 8.00 – 12.50	
KDP/X 24/22-1	87301399	Black	22	16x 3.50 – 6.50	1
				4x 7.50 – 11.50	
				2x 9.00 – 14.00	
KDP/X 24/23	87301375	Black	23	23x 4.10 – 8.10	1
KDP/X 24/23, VE 50, sw	87301171	Black	23	23x 4.10 – 8.10	50
KDP/X 24/29	87301385	Black	29	29x 3.00 – 6.50	1

DIMENSION TABLE

Article	Order No.	Installation height mm	A mm	B mm	a mm	b mm	c mm	d mm	e mm
KDP/X 24/3	87301301	15.00	147.00	59.00	112.00	36.00	65.00	16.00	5.50
KDP/X 24/10	87301305	15.00	147.00	59.00	112.00	36.00	65.00	16.00	5.50
KDP/X 24/11	87301315	15.00	147.00	59.00	112.00	36.00	65.00	16.00	5.50
KDP/X 24/12	87301325	15.00	147.00	59.00	112.00	36.00	65.00	16.00	5.50
KDP/X 24/13	87301335	15.00	147.00	59.00	112.00	36.00	65.00	16.00	5.50
KDP/X 24/14	87301345	15.00	147.00	59.00	112.00	36.00	65.00	16.00	5.50
KDP/X 24/17	87301355	15.00	147.00	59.00	112.00	36.00	65.00	16.00	5.50
KDP/X 24/17-1	87301356	15.00	147.00	59.00	112.00	36.00	65.00	16.00	5.50
KDP/X 24/17-1, VE 50, sw	87301357	15.00	147.00	59.00	112.00	36.00	65.00	16.00	5.50
KDP/X 24/19	87301398	15.00	147.00	59.00	112.00	36.00	65.00	16.00	5.50
KDP/X 24/22	87301365	15.00	147.00	59.00	112.00	36.00	65.00	16.00	5.50
KDP/X 24/22-1	87301399	15.00	147.00	59.00	112.00	36.00	65.00	16.00	5.50
KDP/X 24/23	87301375	15.00	147.00	59.00	112.00	36.00	65.00	16.00	5.50
KDP/X 24/23, VE 50, sw	87301171	15.00	147.00	59.00	112.00	36.00	65.00	16.00	5.50
KDP/X 24/29	87301385	15.00	147.00	59.00	112.00	36.00	65.00	16.00	5.50

MATERIAL PROPERTIES



Material

Housing: Polyamide 6.6
Seal: TPU / EPDM

PROTECTION CLASS



Protection class

IP65

Plastic cable entry plate type KDP/X 24

TECHNICAL INFORMATION

 LABS free

 According to EN -2-1

CONFORMITY

 RoHS (EC Directive 2011/65/EU)

APPROVALS AND OPERATING PERMITS

 cURus approval

 UL type 12

GENERAL INFORMATION

 Made in Germany

All details given in our sales brochures and catalogues, as well as the information available online, are based on our current knowledge of the products described.

The electronic data and files made available by Murrplastik, particularly CAD files are based on our current knowledge of the product described.

A legally binding assurance of certain properties or the suitability for a certain purpose can not be determined from this information.

All information with respect to the chemical and physical properties of Murrplastik products, as well as application advice given verbally, in writing or by tests, is given to the best of our knowledge.

They do not release the buyer from the obligation to carry out his own tests and trials in order to determine the concrete suitability of the products for the intended purpose.

Murrplastik accepts no responsibility for the available information being up-to-date, correct or complete. Neither do we accept responsibility for the quality of this information.

Murrplastik accepts no liability for damage caused as a result of using our products.

Murrplastik reserves the right to make technical changes and improvements through constant further development of products and services.

Our General Terms and Conditions apply.

© Murrplastik Systemtechnik GmbH • proID_134323~20220823~890287~kdh_kdp_x_24