

CURRENT TRANSFORMERS

MAK 104/80

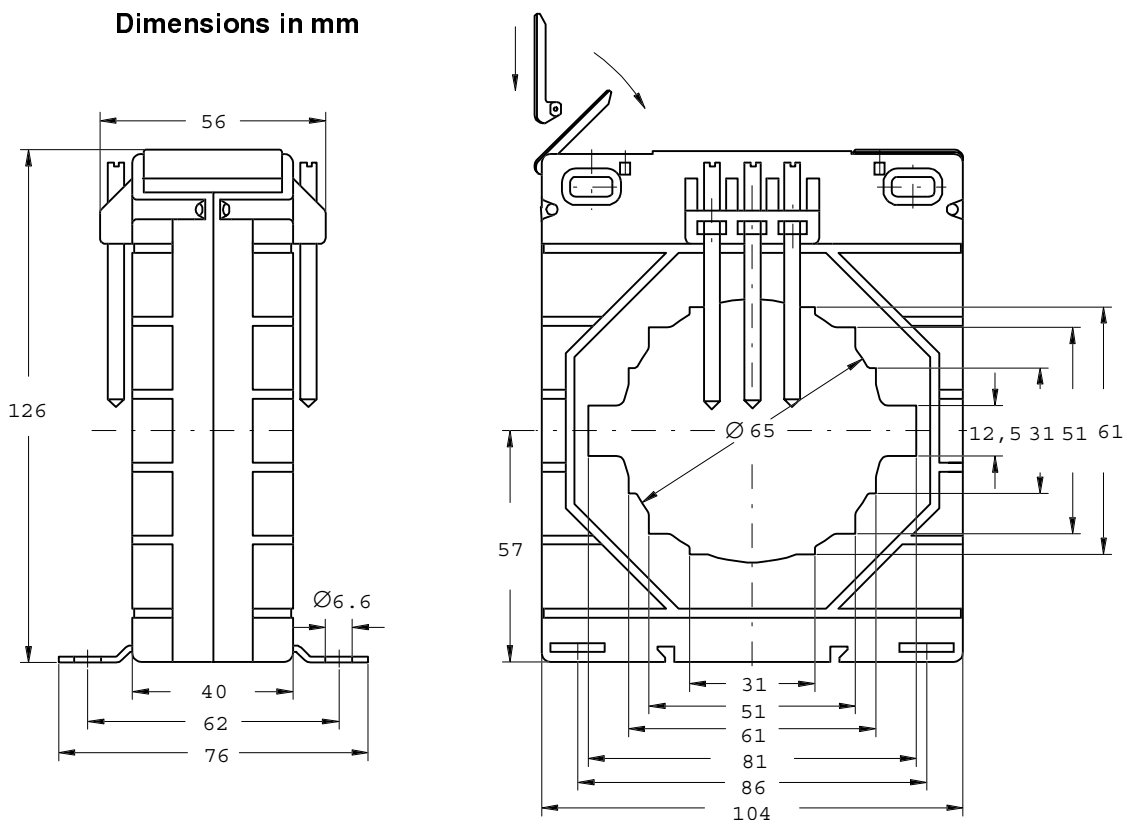
These current transformers can be used for currents from 200 A to 2000 A. They are ring-type current transformers. The current transformers are made according to BS 3938, EN 60044-1 and DIN 42600 standards.

Technical data:

Class of accuracy:	0.2 ... 3 (see table).
Rated burden:	max. 30 VA (see table).
Rated voltage:	720 V.
Rated frequency:	50-60 Hz.
Rated sec. current:	5 A (or 1 A on request).
Security factor:	FS 5 FS10
Working temperature range:	-20 ... +45°C.
High voltage test:	4 kV _{eff} , 50 Hz, 1 min.
Insulation class:	E (max. 120°C)
Protection:	IP 00.
Case:	made of non-flammable plastic, UL 94 V-0.



Outline drawing of MAK104/80



Weight: 580 ... 650 gr

Different types of MAK104/80 current transformers see table on next page



GRUBER Electric Ges.m.b.H.

A-2542 KOTTINGBRUNN, INDUSTRIESTRASSE 4

Tel. +43-2252-251080-0 / Fax +43-2252-251080-30

Internet: www.gruber-electric.at Email: office@gruber-electric.at

Komponenten für Steuerungsbau und Industrieelektronik



CURRENT TRANSFORMERS

Table with different types of MAK104/80 current transformers.

Rated primary current I_n	Acc. class	Type: MAK 104/80									
		Max. busbar hole dimension: 81x12.5 mm or Ø65 mm (see outline drawing)									
		Rated Burden (VA)									
		1.5	2.5	3.75	5	7.5	10	12.5	15	20	30
200 A	0.5 1 3	x									
250 A	0.5 1 3	x	x			x					
300 A	0.5 1 3		x		x	x					
400 A	0.2 0.5 1 3	x			x x		x		x		
500 A	0.2 0.5 1 3	x			x x		x			x	
600 A	0.2 0.5 1 3		x		x x	x		x		x	
750 A	0.2 0.5 1				x x x		x x			x	
800 A	0.2 0.5 1				x x x	x	x x			x	
1000 A	0.2 0.5 1				x x x		x x x	x		x x	x
1200 A	0.2 0.5 1				x x x		x x x		x x x	x	x
1250 A	0.2 0.5 1				x x x		x x x		x x x	x	x
1500 A	0.2 0.5 1				x x x		x x x		x x x	x	x
1600 A	0.2 0.5 1				x x x		x x x		x x x	x	x
2000 A	0.2 0.5 1				x x x		x x x		x x x	x	x

Order specification:

- Ring-type current transformer.
- Class of accuracy: 0.5
- Rated primary current: 2000 A.
- Rated secondary current: 5 A.
- Rated burden: 15 VA
- Busbar dimension: 80x12,5 mm or Ø 65mm.

MAK 104/80	2000/5 A	Cl. 0,5 15VA
-------------------	-----------------	---------------------

- Note:**
- On request orders for types different from table are accepted.
 - On request order for clip for DIN EN 50 022 rail are accepted. Cat. No. **12-3044-94**.



GRUBER Electric Ges.m.b.H.

A-2542 KOTTINGBRUNN, INDUSTRIESTRASSE 4
 Tel. +43-2252-251080-0 / Fax +43-2252-251080-30
 Internet: www.gruber-electric.at Email: office@gruber-electric.at

Komponenten für Steuerungsbau und Industrieelektronik



CURRENT TRANSFORMERS

MAK104/80d

These current transformers can be used two range by re-switching the secondary windings.

Rated primary current I_n	Acc. cl.	Type: MAK 104/80d			
		Busbar hole 81x12,5 mm (see fig.)			
		Rated burden (VA)			
		5-2,5	10-5	15-7,5	30-15
500-250A	0.5 1 3	x			
600-300 A	0.5 1 3	x	x		
800-400 A	0.5 1 3	x	x	x	
1000-500 A	0.5 1 3		x	x	
1200-600 A	0.5 1 3		x	x x	
1500-750 A	0.5 1 3		x	x x	
1600-800 A	0.5 1 3		x	x x	x
2000-1000 A	0.5 1 3		x	x x	x

MAK104/80t

These current transformers can be used three range by re-switching the secondary windings.

Rated primary current I_n	Acc. cl.	Type: MAK 104/80t	
		Busbar hole 81x12,5 mm (see fig.)	
		Rated burden (VA)	
		10-5-2,5	15-10-5
1000-500-250A	0.5 1 3	x	x
1200-600-300 A	0.5 1 3	x	x
1500-750-400 A	0.5 1 3	x	x
1600-800-400 A	0.5 1 3	x	x
2000-1000-500 A	0.5 1 3	x	x

Order specification:

- Ring-type current transformer.
- Class of accuracy: 0.5
- Rated primary current: 800-400 A.
- Rated secondary current: 5 A.
- Rated burden: 5-2,5 VA
- Busbar dimension: 80x12,5 mm or \varnothing 65 mm.

MAK 104/80d	800-400/5 A	Cl. 0,5	5-2,5VA
-------------	-------------	---------	---------



GRUBER Electric Ges.m.b.H.

A-2542 KOTTINGBRUNN, INDUSTRIESTRASSE 4
Tel. +43-2252-251080-0 / Fax +43-2252-251080-30
Internet: www.gruber-electric.at Email: office@gruber-electric.at

Komponenten für Steuerungsbau und Industrieelektronik