



# CURRENT TRANSFORMERS

## MAK 62/30

These current transformers can be used for currents from 50 A to 800 A. They are ring-type current transformers. The current transformers are made according to BS 3938, EN 60044-1 and DIN 42600 standards.

### Technical data:

**Class of accuracy:** 0.2 ... 3 (see table).  
**Rated burden:** max. 15 VA (see table).  
**Rated voltage:** 720 V.  
**Rated frequency:** 50-60 Hz.  
**Rated sec. current:** 5 A (or 1 A on request).  
**Security factor:** FS 5 FS10  
**Working temperature range:** -20 ... +45°C.  
**High voltage test:** 4 kV<sub>eff</sub>, 50 Hz, 1 min.  
**Insulation class:** E (max. 120°C)  
**Protection:** IP 00.  
**Case:** made of non-flammable plastic, UL 94 V-0.



Rated primary current $I_n$	Acc. cl.	Type: MAK 62 / 30					
		Busbar hole 31x11 mm (see fig.)					
		Rated burden (VA)					
		1	1.5	2.5	3.75	5	7.5
50 A	0.5 1 3		x		x		
60 A	0.5 1 3		x		x		
75 A	0.5 1 3		x			x	
80 A	0.5 1 3		x			x	
100 A	0.5 1 3		x		x		x
120 A	0.5 1 3			x		x	
125 A	0.5 1 3			x		x	
150 A	0.5 1 3				x	x	x

Rated primary current $I_n$	Acc. cl.	Type: MAK 62 / 30						
		Busbar hole 31x11 mm (see fig.)						
		Rated burden (VA)						
		1,5	2,5	5	7,5	10	12,5	15
200 A	0,2 0,5 1			x		x		
250 A	0,2 0,5 1			x		x		
300 A	0,2 0,5 1	x		x		x		x
400 A	0,2 0,5 1		x	x		x		
500 A	0,2 0,5 1			x		x		
600 A	0,2 0,5 1			x		x		x
750 A	0,2 0,5 1			x		x		x
800 A	0,2 0,5 1			x		x		x

### Order specification:

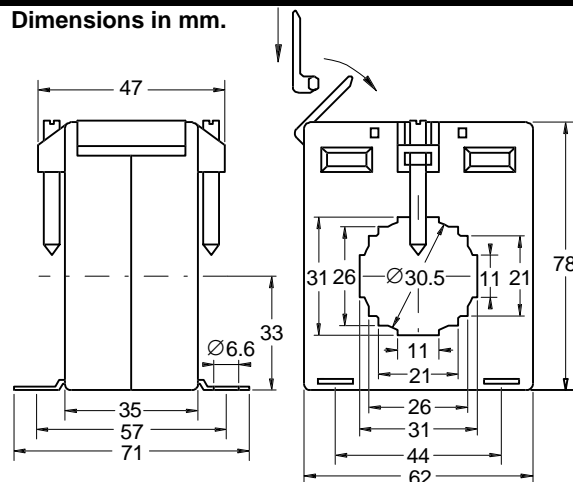
- Ring-type current transformer.
- Class of accuracy: 0.5
- Rated primary current: 300 A.
- Rated secondary current: 5 A
- Rated burden: 5 VA
- Busbar dimension: 30x10 mm.

<b>MAK 62/30</b>	<b>300/5A</b>	<b>Cl. 0,5</b>	<b>5VA</b>
------------------	---------------	----------------	------------

### Note:

- On request orders for types different from table are accepted.
  - On request order for clip for DIN EN 50 022 rail are accepted.
- Cat. No. 12-3044-94.

Dimensions in mm.



Weight: 200...380gr



**GRUBER Electric Ges.m.b.H.**

A-2542 KOTTINGBRUNN, INDUSTRIESTRASSE 4  
 Tel. +43-2252-251080-0 / Fax +43-2252-251080-30  
 Internet: www.gruber-electric.at Email: office@gruber-electric.at

Komponenten für Steuerungsbau und Industrieelektronik



# CURRENT TRANSFORMERS

## MAK62/30d

These current transformers can be used two range by re-switching the secondary windings.

Rated primary current $I_n$	Ac. cl.	Type: MAK 62/30d		
		Busbar hole 31x11 mm (see fig.)		
		Rated burden (VA)		
		5-2,5	10-5	15-10
200-100A	0.5 1	x		
300-150A	0.5 1		x	
400-200A	0.5 1	x	x	
500-250A	0.5 1		x	
600-300A	0.5 1		x x	x
800-400A	0.5 1		x x	x

### Order specification:

- Two range current transformer.
- Class of accuracy: 1
- Rated primary current: 200-100 A
- Rated secondary current: 5A
- Rated burden: 5-2,5 VA
- Busbar dimension: 30x10mm

<b>MAK 62/30d</b>	<b>200-100/5A</b>	<b>Cl. 1 5-2,5VA</b>
-------------------	-------------------	----------------------



**GRUBER Electric Ges.m.b.H.**

A-2542 KOTTINGBRUNN, INDUSTRIESTRASSE 4  
Tel. +43-2252-251080-0 / Fax +43-2252-251080-30  
Internet: www.gruber-electric.at Email: office@gruber-electric.at  
Komponenten für Steuerungsbau und Industrieelektronik